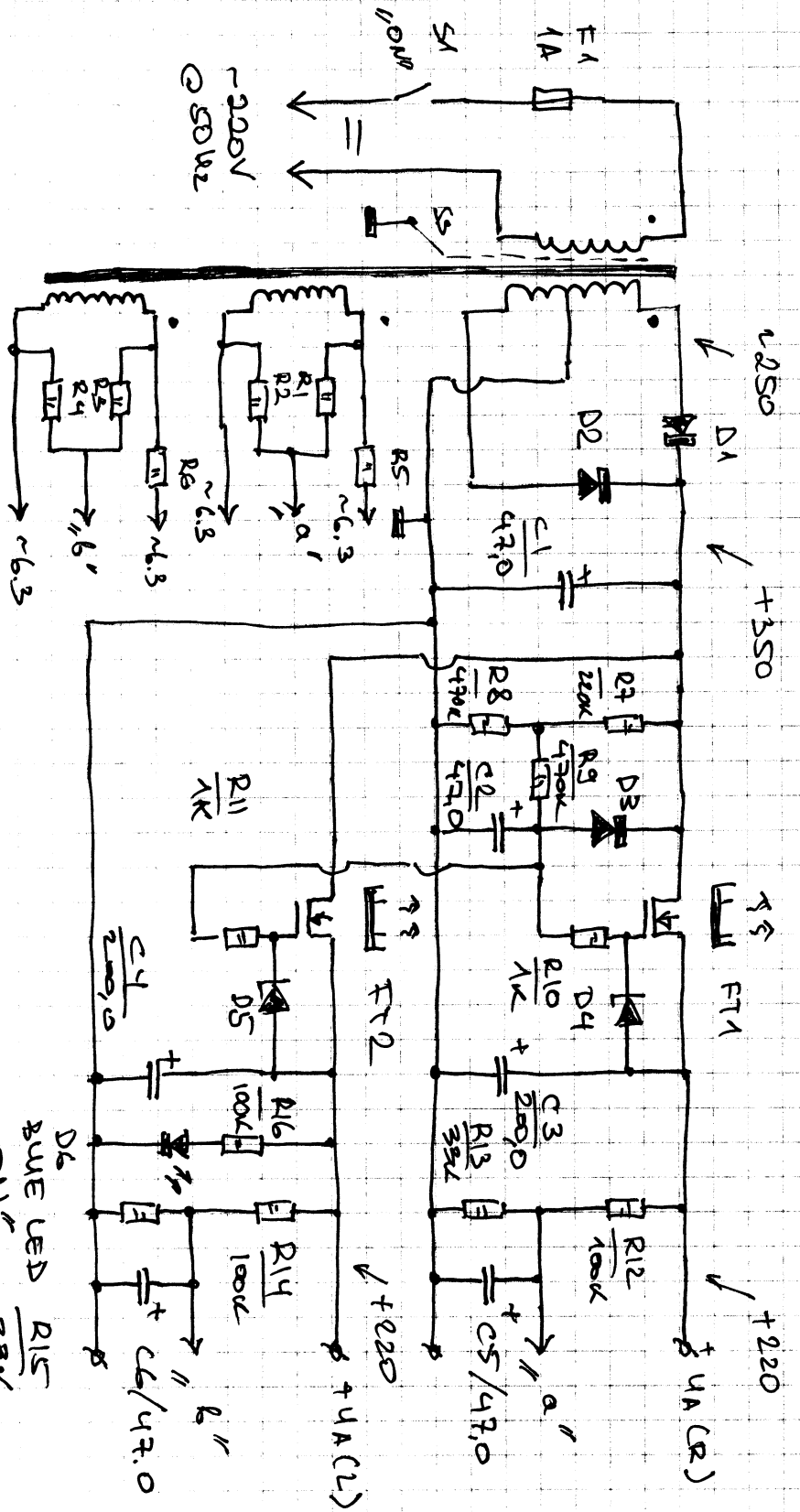


Preyemurten C38 - HASHIMOTO
 FROK
 RUSTHUSI 2/0



- R1...R4 300Ω
- R5, R6 1Ω
- D1...D3 FR157
- D4...D5 2D15V

FT1, FT2 IRF840

D6 BLUE LED
 1 ON 33k

T1: HASHIMOTO PT-100R

3RD 2014